

SIGNATURE SERIES

by RONBOW

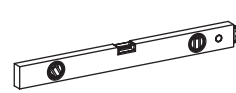
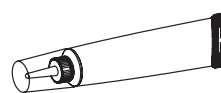
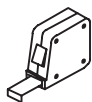
INSTALLATION AND CARE GUIDE

DRAIN
702804

Model : 702804

PRE-INSTALLATION

Tools Required



MATERIALS INCLUDED

- 1 drain
- 1 thick rubber washer
- 1 metal nut
- 1 tailpiece

Model : 702804

INSTALLATION

Step 1: Position countertop opening to ensure clearance between the lavatory, faucet and backsplash. Cut 1-3/4" hole for drain in countertop.

See Figure 1.

Step 2: Align drain overflow hole with sink overflow.

Place a generous portion of plumbers' putty under drain cap and insert whole drain body inside the bowl and through the countertop.

See Figure 2.

Step 3: From under the drain, insert the thick rubber washer, screw on and tighten the metal nut. Remove excess plumbers' putty.

See Figure 3.

Step 4: Attach p-trap to tailpiece.

Figure 1.

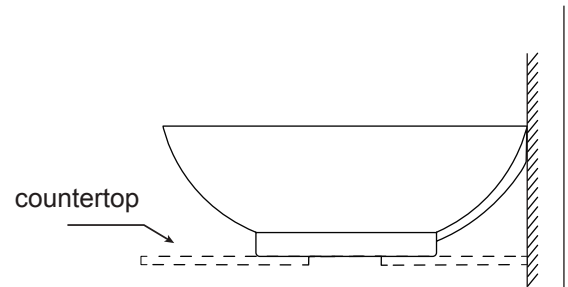


Figure 2.

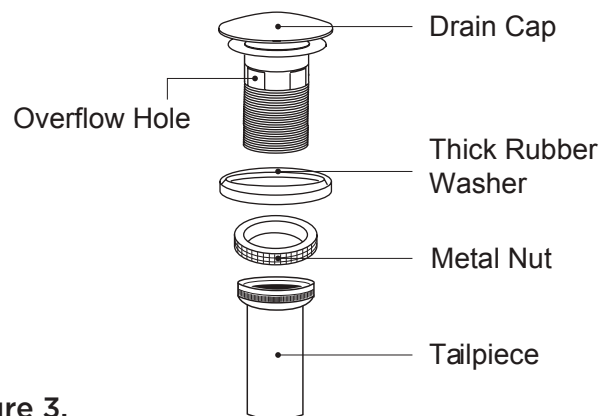
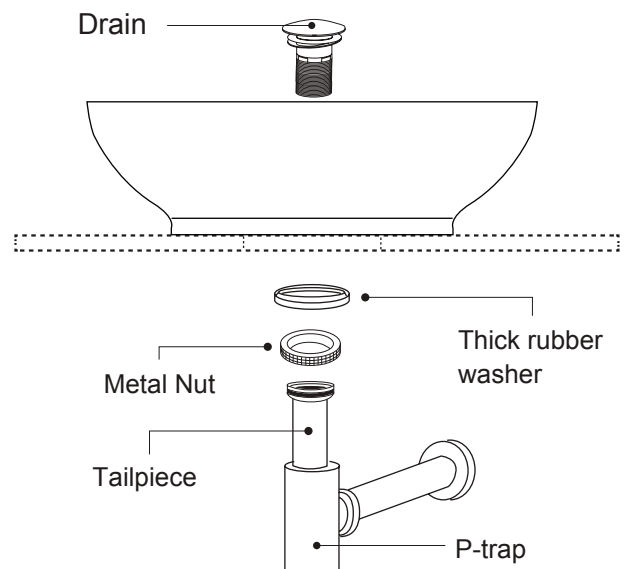


Figure 3.



RONBOW

40650 Encyclopedia Circle
Fremont, CA 94538

T 510.713.1188
F 510.657.9388

ronbow.eu | ronbow.com